

Very robust high-end IMPAC pyrometer for non-contact temperature measurements on metals, ceramics, graphite etc. between 250 and 3500 °C

IS 12 • IS 12-S • IGA 12 • IGA 12-S

- Temperature ranges between 250 and 3500 °C
- Short response times < 1 ms
- Extremely small spot sizes min 0.1 mm
- Distance ratio up to 900 : 1
- Built-in 5 digit LED display
- Thru-lens view finder or with additional laser targeting light
- Test current output
- 2 fast limit switches
- Interfaces RS232 / RS485 switchable
- With fixed or focusable optics



The IS 12, IS 12-S, IGA 12 and IGA 12-S are very robust, digital and highly accurate pyrometers for non-contact temperature measurement on metals, ceramics, graphite etc.

For optimal match of the instrument to the application 6 different fixed optics and 3 different focusable optics with extremely small spot sizes are available.

The pyrometer parameters can be selected via keys, the settings are indicated on the built-in LED display. In measuring mode the actual temperature is indicated.

The pyrometers are equipped with RS232 and RS485 serial interfaces (switchable via the keys). This additionally enables the reading of temperature and

pyrometer parameters via the provided InfraWin PC-software. If necessary the parameters also can be changed via PC.

Two adjustable limit switches can be used to trigger a switch process, e.g. to recognize hot objects located in the measuring beam.

A thru-lens view finder or additionally a laser targeting light for exact alignment of the pyrometer is available.

The instruments IS 12-S and IGA 12-S are equipped with an integrated scanner which moves the measuring beam adjustable up and down up to 4°.

Typical Applications:

- preheating
- annealing
- tempering
- welding
- forging
- hardening
- sintering
- melting
- soldering
- rolling
- brazing
- normalizing

Technical Data

Measurement Specifications	
Temperature Range:	IS 12 & IS 12-S: 550 to 1400 °C (MB 14) 600 to 1600 °C (MB 16) 650 to 1800 °C (MB 18) 750 to 2500 °C (MB 25) 550 to 2000 °C (MB 20L) 700 to 3500 °C (MB 35L) IGA 12 & IGA 12-S: 250 to 1000 °C (MB 10) 300 to 1300 °C (MB 13) 350 to 1800 °C (MB 18) 400 to 2300 °C (MB 23) 250 to 1400 °C (MB 14L)
Subrange:	any range adjustable within the temperature range, minimum span 51 °C
Spectral Ranges:	IS 12 & IS 12-S: 0.7 to 1.1 μm IGA 12 & IGA 12-S: 1.45 to 1.8 μm
Signal Processing:	photoelectric current, digitized immediately
Accuracy: (at $\varepsilon=1, T_{90}=1\text{ s}, T_{\text{amb.}}=23\text{ °C}$)	below 1500 °C: 0.3% of measured value in °C + 1 °C above 1500 °C: 0.5% of measured value in °C
Amb.Temp. Dependency:	$t_k \leq 0.01\%$ of reading (in °C) x dT (temperature of pyrometer housing - 23 °C)
Resolution:	interface and display: 0.1°C, analog output: < 0.025 % of temperature range
Repeatability:	0.1% of measured value in °C + 1°C
Emissivity ε :	0.100 ... 1.000 in 1/1000 steps
Exposure Time t_{90} :	< 1 ms ("L" temperature ranges with dynamical adaptation at low signal levels), adjustable up to 10 s
Maximum Value Storage:	single or double storage; cleared by: - preselected time interval - external deletion contact or via digital interface - automatically with the next measuring object
Sighting:	built-in parallax free thru-lens view finder; additionally laser targeting light (max. power level < 1 mW, $\lambda = 630\text{-}680\text{ nm}$, CDRH class II)
Communication / Interface	
Analog Output:	linear 0 ... 20 mA or 4 ... 20 mA, DC, switchable; load max. 500 Ohm
Serial Interface:	switchable at the pyrometer: RS232 or RS485 addressable, half duplex; baud rate 2.4 up to 115 kBd
Display:	built-in 5 digit LED display, additional function LEDs
Test Current Output:	fixed 10 mA
Limit switches:	2 relay outputs (change-over contacts), switch power max. 30 W (I_{max} : 1 A, U_{max} : 60 V DC)
Control Panel:	4 keys, operate with tip of ball-point pen
Parameters:	Adjustable at the instrument or via serial interface: emissivity ε , response time t_{90} , clear time for maximum value storage t_{CL} , subrange, 0 to 20 or 4 to 20 mA, switch points for limit switches, °C / °F, interface RS232 or RS485, address, baud rate, test current output Additionally adjustable (only via interface): keyboard lock, recalibration (with special software)
Electrical	
Power Supply:	24 V DC (15 to 40 V DC) or 24 V AC (12 to 30 V AC), 48 to 62 Hz
Power Consumption:	max. 7 W
Isolation:	power supply, digital interface, analog output are galvanically isolated against each other and housing
Environmental	
Ambient Temperature:	0 to 70 °C at housing, no condensating conditions
Storage Temperature:	-20 to 70 °C
Rel. Humidity:	Non condensating conditions
Protection Class:	IP65 (DIN 40 050)
Weight:	2.2 kg
CE-Label:	according to EU directives about electromagnetic immunity
Note: The calibration / adjustment of this pyrometer is carried out in accordance with VDI/VDE 3511, Part 4.4. See http://info.lumasenseinc.com/calibration for more information.	

Features



Advantages of digital signal processing

The signal processing of series 12 pyrometers is fully digital, i.e. the detector signal is digitized immediately and digitally processed. With this technique an extremely high accuracy and repeatability as well as very long measuring ranges are achieved.

Accuracy	The high accuracy will be achieved by the digital linearisation of the sensor output as well as the digital compensation of the ambient temperature.
Temperature Range	Due to the digital technique the user can set any temperature sub range within the full temperature range. The minimum span of the sub range is 51 °C. The analog measuring output corresponds automatically to the selected sub range. This setting of a sub range can be done without recalibration of the pyrometer and does not affect the high accuracy and repeatability. As almost any sub range is adjustable, the storage of spare instruments or the replacement of other pyrometers is simplified.
Output	The analog measuring outputs 0 ... 20 mA or 4 ... 20 mA are selectable as well as the serial digital interfaces RS232 or RS485. Additionally the interface allows the controlling of the pyrometer via PC.
Bus Control	The serial interface RS485 facilitates the integration of the pyrometer into existing field bus systems.
Calibration	If a suitable calibration source is available, a calibration of the pyrometers can be done via serial interface without opening the housing.

Optics

The pyrometers are equipped with fixed or focusable optics. Spot sizes for fixed optics are shown for the specified measuring distance. The focusable optics offer the smallest possible spot size at the required distance. The spot sizes are shown in the following tables (all distances are measured from the front of the lens).

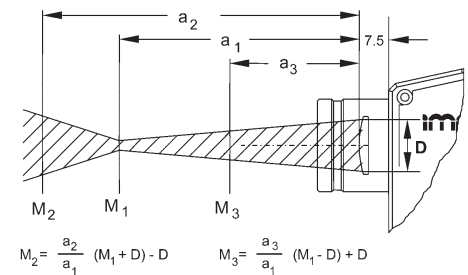
For spot sizes between those in the table, values can be found by interpolation. The optics can be changed at any time to another of the same type without recalibrating the pyrometer.

The selection of a suitable optics depends on different factors:

- Very short measuring distances up to 250 mm to achieve extremely small spot sizes are only available as fixed optics.
- The rotary mirror attachment ROT 10 can only be used in combination with fixed optics.
- The 3 focusable optics allow the exact adjustment of any required measuring distance from 277 mm.
- Focusable optics offer high flexibility to adapt the instrument to applications with different measuring distances.

Fixed optics IS 12, IS 12-S, IGA 12, IGA 12-S					
IS 12; IS 12-S		MB 14	-	MB 16; 18; 20L	MB 25; 35L
IGA 12; IGA 12-S		MB 10	MB 13; 14L	MB 18	MB 23
Optics	Measuring distance a [mm]	Spot size M ₉₀ [mm]			
1	80	0.9	0.7	0.3	0.1
2	160	0.7	0.6	0.4	0.2
3	250	1	0.8	0.5	0.3
4	660	2.3	2	1.2	0.7
5	1300	5.5	3.8	2.8	1.4
6	5600	19	15	12	6.4
Aperture D:		19	13.5	10	7

Spot sizes differing from the stated values can be calculated with the following equations:



Focusable optics IS 12					
	Measuring distance a [mm]	Spot size M ₉₀ [mm]			
		MB 14	MB 16	MB 18 MB 20L	MB 25 MB 35L
Optics 1	277	0.9	0.6	0.6	0.4
	400	1	0.8	0.8	0.5
	533	1.4	1.1	1.1	0.7
Optics 2	388	1	0.8	0.8	0.45
	700	1.8	1.5	1.5	0.8
	1170	3	2.4	2.4	1.4
Optics 3	550	1.5	1	1	0.6
	3000	9	6	6	3.3
	9500	25	9	9	10.6
Aperture D*:		13.5 to 17		10 to 13	5 to 7

Focusable optics IGA 12					
	Measuring distance a [mm]	Spot size M ₉₀ [mm]			
		MB 10	MB 13 MB 14L	MB 18	MB 23
Optics 1	279	1.3	0.9	0.5	0.4
	400	1.7	1.1	0.7	0.5
	520	2	1.2	0.8	0.7
Optics 2	390	1.4	1	0.6	0.45
	700	2.6	1.5	1	0.8
	1190	4.1	2.4	1.6	1.3
Optics 3	550	2	1.2	0.8	0.6
	3000	10.7	5.9	4.3	3.8
	5600	20	11	8	7
Aperture D*:		13.5 to 17			10 to 13

* depending on the objective distance

IS 12-S, IGA 12-S with integrated scanner

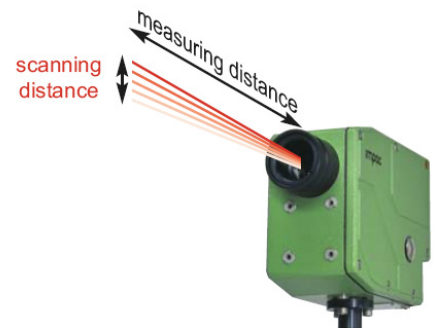
The pyrometers IS 12-S and IGA 12-S with fixed optics are equipped with a scanning mechanism built into the pyrometer housing which moves the measuring beam up and down. In combination with the pyrometer's maximum value storage (peak

picker) the scanner is optimally used for scanning of thin oscillating wires, for finding scalefree spots on heavily scaled surfaces or for measuring small, hot objects whose position is not exactly determined.

All instruments are equipped with a thru-lens view finder and an additional laser targeting light for exact alignment to the position of the measuring object. The scanning angle is adjustable between 0 and 4°, the scanning frequency between 4 and 10 Hz.

The moving measuring beam does not increase the spot sizes due to the very fast exposure time of the pyrometers.

Fixed optics	
distance a [mm]	Scanning distance at 4° scanning angle
80	5.6 mm
160	11.2 mm
250	17.5 mm
660	46 mm
1300	91 mm
5600	391 mm



The scanning length increases with increasing measuring distance. An overview of the scanning length at the different distances of the optics is shown in the table.

Rotary mirror attachment ROT 10 (accessory)

For larger scanning distances than the integrated scanner, the rotary mirror attachment ROT 10 can be mounted on the IS 12 and IGA 12 with fixed optics. So a scanning angle between 63 and 73° can be achieved (depending on the measuring range).

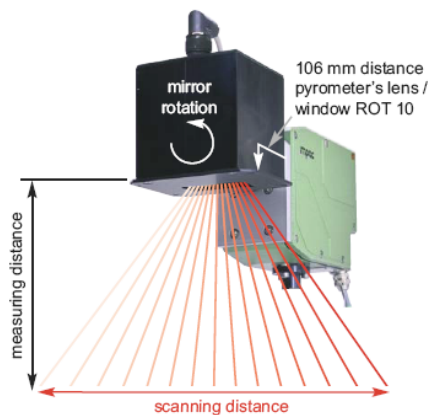
Typical applications of the rotary mirror attachment are measurements of thin oscillating wires or moving sheets and capturing the maximum temperature of bulk material or scaled metals.

With help of a rotating mirror the measuring beam of the pyrometer is moved over the measuring object in a line. If the instrument is equipped with a laser targeting light the scanning distance can be followed visually.

The rotary mirror attachment only can be mounted onto the fixed optics pyrometers. The distance of the pyrometer's lens to the window of the scanner is 106 mm. The required optic has to be selected accordingly.

An overview of the scanning distances of the different measuring distances is shown in the following table:

Fixed Optics	Measuring Distance	Scanning Distance
2	54 mm	130 mm
3	144 mm	261 mm
4	554 mm	857 mm
5	1194 mm	1768 mm
6	5494 mm	8035 mm



The signal is analysed via the pyrometer's analog output (0/4 ... 20 mA) and / or the serial interface (RS232 or RS485).

The scanning frequency is permanently set to 12.5 Hz. The attachment is powered by 24 V AC, 50 Hz.

The pyrometer has to be adjusted to the fastest exposure time due to the mirror rotation, to keep the smallest spot size. The high mirror rotation speed of the mirror produces spot sizes in form of a line. For the different temperatur ranges (MB) the following spot sizes are achieved:

	IS 12 IGA 12	MB 14 MB 10	MB 13; 14L	MB 16; 18; 20L MB 18	MB 25; 35L MB 23
Fixed Optics	Measuring distance	Spot size [mm]			
2	54 mm	2.1 x 0.7	2.0 x 0.6	1.8 x 0.4	1.6 x 0.2
3	144 mm	4.8 x 1.0	4.6 x 0.8	4.3 x 0.5	4.1 x 0.3
4	554 mm	16.8 x 2.3	16.5 x 2.0	15.7 x 1.2	15.2 x 0.7
5	1194 mm	36.8 x 5.5	35.1 x 3.8	34.1 x 2.8	32.7 x 1.4
6	5494 mm	162.9 x 19.0	158.9 x 15	155.9 x 12.0	150.3 x 6.4
	Scanning angle:	63°	68°	72°	73°

Reference numbers

Type	Temperature range		with view finder, fixed optics	with view finder, fixed optics, laser targeting light	with view finder, focusable optics, laser targeting light	with view finder, fixed optics, laser targeting light, scanner (type -S)
IS 12	500 to 1400 °C	(MB 14)	3 839 100	3 839 110	3 839 120	3 839 130
	600 to 1600 °C	(MB 16)	3 839 150	3 839 160	3 839 170	3 839 180
	650 to 1800 °C	(MB 18)	3 839 200	3 839 210	3 839 220	3 839 230
	750 to 2500 °C	(MB 25)	3 839 250	3 839 260	3 839 270	3 839 280
	550 to 2000 °C	(MB 20L)	3 839 300	3 839 310	3 839 320	3 839 330
	700 to 3500 °C	(MB 35L)	3 839 350	3 839 360	3 839 370	3 839 380
IGA 12	250 to 1000 °C	(MB 10)	3 839 600	3 839 610	3 839 620	3 839 630
	300 to 1300 °C	(MB 13)	3 839 650	3 839 660	3 839 670	3 839 680
	350 to 1800 °C	(MB 18)	3 839 700	3 839 710	3 839 720	3 839 730
	400 to 2300 °C	(MB 23)	3 839 750	3 839 760	3 839 770	3 839 780
	250 to 1400 °C	(MB 14L)	3 839 800	3 839 810	3 839 820	3 839 830

Scope of delivery:

Pyrometer with optics of your selection, InfraWin operating and analyzing software, works certificate, user manual.

Ordering note:

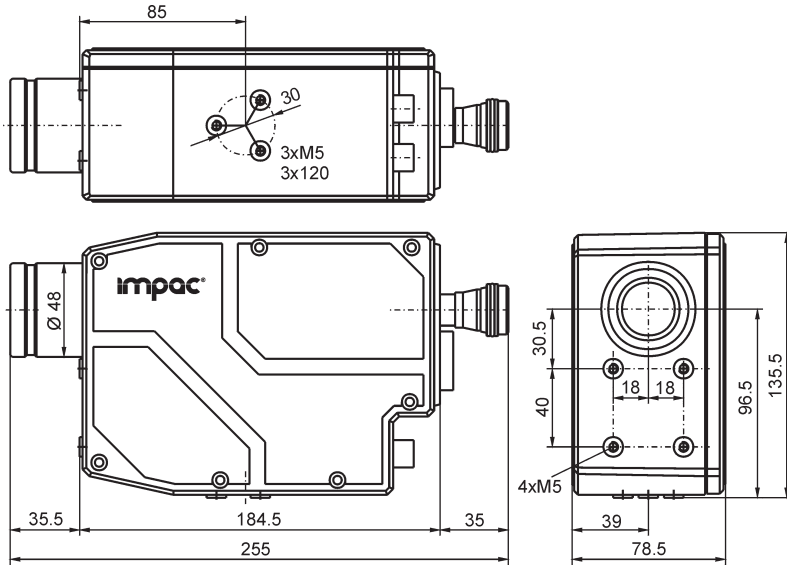
When ordering please select one optics (included in scope of delivery). A connection cable or an additional cable for limit contacts is not included in scope of delivery.

Accessories

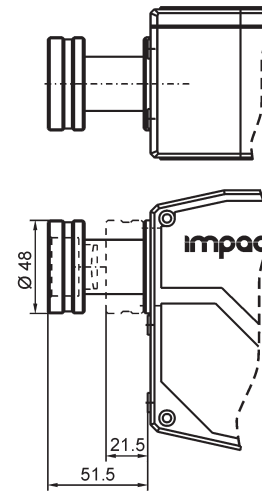
3 848 610	exchangeable fixed optics 1	3 852 550	Power supply NG 2D, as NG 0D: addition ally with 2 limit switches (not for US sale)
3 848 620	exchangeable fixed optics 2	3 890 640	LED digital display DA 4000-N
3 848 630	exchangeable fixed optics 3	3 890 650	LED digital display DA 4000: with 2 limit switches
3 848 640	exchangeable fixed optics 4	3 890 560	LED digital display DA 6000-N: with possibility for pyrometer parameter settings for digital IMPAC pyrometers; RS232 interface
3 848 650	exchangeable fixed optics 5	3 826 510	PI 6000: PID programmable controller, very fast, for digital IMPAC pyrometers
3 848 660	exchangeable fixed optics 6	3 890 630	LDP 1224, LED display, large, height of digits 57 mm
3 848 670	exchangeable focusable optics 1	3 826 720	USB-RS485 adapter cable, 1.8 m
3 848 680	exchangeable focusable optics 2	3 852 580	Converter USB 2.0 ⇔ RS232
3 848 690	exchangeable focusable optics 3	3 852 600	Converter USB ⇔ RS485, Stick (NienTech USB-Nano)
3 820 340	connection cable, length 5 m, 90° connector	3 835 060	air purge
3 820 530	connection cable, length 10 m, 90° connector	3 837 200	cooling plate
3 820 540	connection cable, length 15 m, 90° connector	3 837 230	cooling jacket
3 820 830	connection cable, length 20 m, 90° connector	3 834 200	ball and socket mounting
3 820 840	connection cable, length 25 m, 90° connector	3 834 140	ball and socket mounting (steel) for rough ambience or for cooling jacket
3 820 550	connection cable, length 30 m, 90° connector	3 843 260	rotary mirror attachment ROT 10
3 820 750	connection cable, length 5 m, 90° connector, temperature resistant up to 200 °C		
3 821 120	additional cable for limit contacts, 5 m		
3 821 130	additional cable for limit contacts, 10 m		
3 821 140	additional cable for limit contacts, 15 m		
3 821 150	additional cable for limit contacts, 20 m		
3 821 160	additional cable for limit contacts, 25 m		
3 821 170	additional cable for limit contacts, 30 m		
3 821 200	additional cable for limit contacts, 5 m, temperature resistant up to 200 °C		
3 852 290	Power supply NG DC for DIN rail mounting; 100 to 240 V AC ⇒ 24 V DC, 1 A		
3 852 540	Power supply NG 0D; DIN rail mount, 85...265 V AC, 24 V DC 600 mA		

Dimensions

Types with fixed optics:



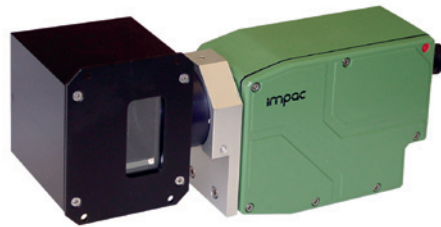
Types with focusable optics:
optics inserted / pulled out



Accessory overview



Cooling jacket



Rotary mirror attachment
ROT 10



NG DC



Ball and socket
mounting, steel



Ball and socket
mounting



LED digital display



Cooling plate



air purge unit

Harnessing the Power of Your 6th Sense

Six Simple Steps to the 6th Sense

LumaSense LS⁶ Systems equip our customers in Global Energy, Industrial Materials, and Advanced Technologies with “predictable efficiency” using our LS⁶ Systems, LumaSpec software, and purpose-driven 6th Sense Process Methodology.

LumaSense illuminates our customers’ core generation, materials, and manufacturing processes with an invaluable 6th Sense to help detect, reduce, and ultimately prevent inefficiencies and unnecessary waste of energy, materials, and human capital. Utilizing this 6th Sense, resource-intensive global companies can

hone their competitive edge at massive scale and directly improve their bottom line.

The 6th Sense is the power of perception beyond the five senses. Some refer to it as intuition, others say it is the ability to understand the subtle cause and effect relationship behind many events. LumaSense Technologies provides the sensors and solutions that awaken this 6th Sense in customers to allow them to efficiently optimize their processes.

OUR UNIQUE 6TH SENSE METHODOLOGY



Upon completion, LumaSense customers gain an inexorable “6th Sense” that delivers immediate gains and progressive performance.

LumaSense Technologies

**Americas and Australia
Sales & Service**
Santa Clara, CA
Ph: +1 800 631 0176
Fax: +1 408 727 1677

**Europe, Middle East, Africa
Sales & Service**
Frankfurt, Germany
Ph: +49 69 97373 0
Fax: +49 69 97373 167

**India
Sales & Support Center**
Mumbai, India
Ph: +91 22 67419203
Fax: +91 22 67419201

**China
Sales & Support Center**
Shanghai, China
Ph: +86 133 1182 7766
Fax: +86 21 5877 2383

info@lumasenseinc.com

LumaSense Technologies, Inc., reserves the right to change the information in this publication at any time.

Awakening Your 6th Sense

www.lumasenseinc.com

©2013 LumaSense Technologies. All rights reserved.
IS12_IGA12 Datasheet-EN - Rev. 11/07/2013